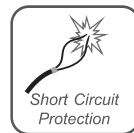


### LED Intelligent Dimming Driver

75W 6.25A 12V DC

- Dimming interface: DMX512/RDM, Push DIM.
- With the RDM remote device management protocol.
- Supports DMX512 signal bi-directional communication.
- PWM digital dimming, no alter LED color rendering index.
- 60000:1 wide dimming, range: 0~100%, LED start at 0.1% possible.
- Power factor > 0.99, Efficiency > 85%.
- Short circuit / Over-temperature / Over load protection.
- Metal housing.
- Compliant with Safety Extra Low Voltage standard.
- Suitable for indoor environments.



#### Main Characteristics

|                       |                                                                  |                           |                                                                       |
|-----------------------|------------------------------------------------------------------|---------------------------|-----------------------------------------------------------------------|
| Dimming Interface:    | DMX512/RDM, Push DIM                                             | Operating Voltage:        | 12V DC± 0.5V DC                                                       |
| Dimming Range:        | 0~100%, LED start at 0.1% possible.                              | Output Power:             | Max. 75W                                                              |
| Input Voltage Range:  | 100-240Vac ±10%                                                  | Overload Power Limitation | 0.95-1.20                                                             |
| Input Current:        | 115Vac≤0.85A, 230Vac≤0.45A                                       | Working Temperature.:     | -30 ~ +60°C                                                           |
| Power Factor:         | PF>0.99/115Vac, PF>0.95/230Vac, at full load                     | Working Humidity:         | 20 ~ 95%RH, non-condensing                                            |
| Frequency:            | 50/60Hz                                                          | Storage Temp., Humidity:  | -40 ~ +80°C, 10~95%RH                                                 |
| Efficiency:           | ≥85%                                                             | Temp. Coefficient:        | ±0.03%/°C(0-50°C)                                                     |
| Inrush Current(typ.): | Cold start 60A at 230Vac<br>(twidth=525µs measured at 50% Ipeak) | Vibration:                | 10~500Hz, 2G 12min./1cycle, period for 72min. each along X, Y, Z axes |
| Leakage Current:      | <0.5mA/230Vac                                                    |                           |                                                                       |
| Current Load:         | Max. 6.25A                                                       |                           |                                                                       |

#### Protection

Short Circuit / Over Temperature / Over Load: Auto recovery

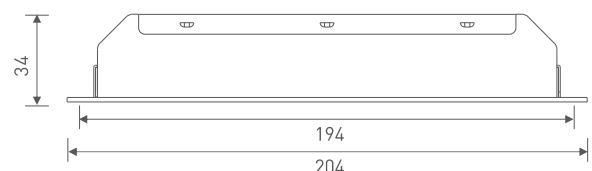
#### Others

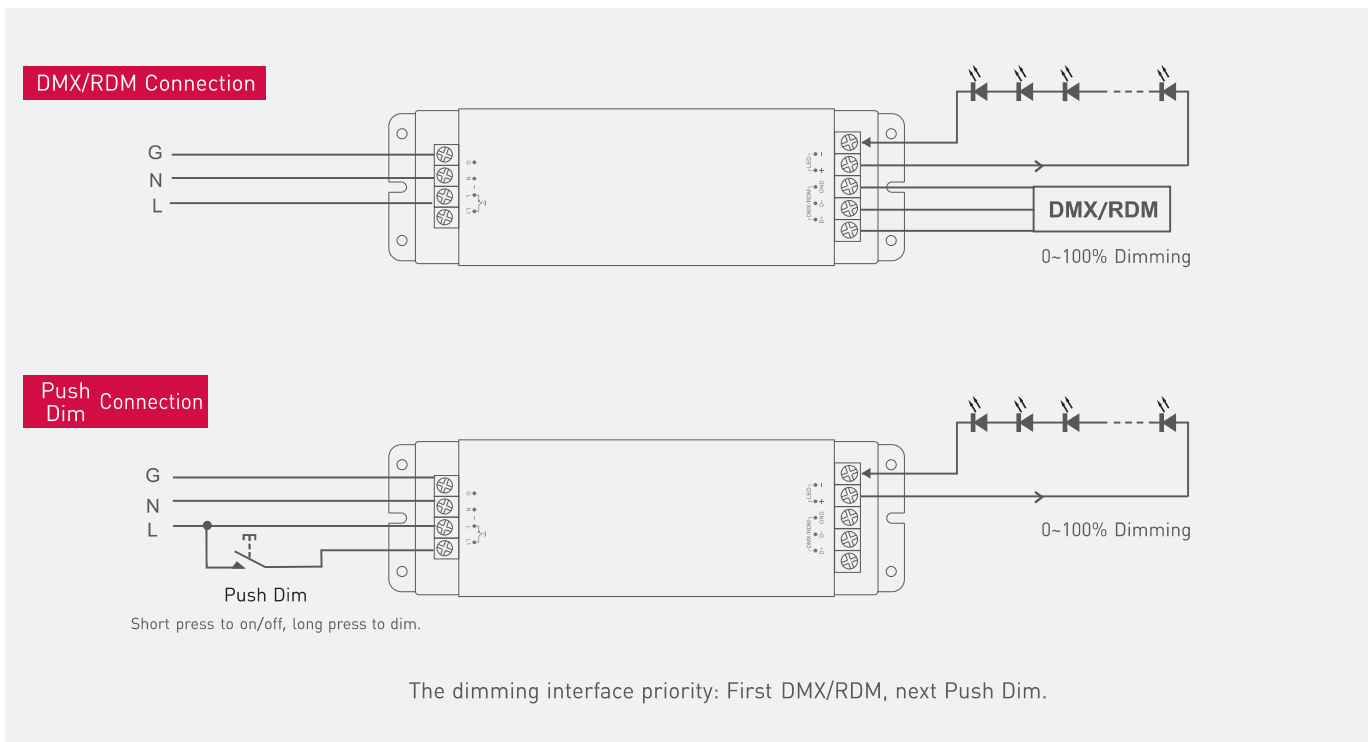
|               |                    |
|---------------|--------------------|
| Dimension:    | 204×62×34mm(L×W×H) |
| Packing:      | 206×64×39mm(L×W×H) |
| Weight(G.W.): | 510g±10g           |

#### Safety & EMC

|                       |                                                                                                                         |
|-----------------------|-------------------------------------------------------------------------------------------------------------------------|
| Withstand Voltage:    | I/P-O/P: 3000Vac I/P-FG: 2000Vac O/P-FG: 500Vac                                                                         |
| Isolation Resistance: | I/P-O/P: 100MΩ/500VDC/25°C/70%RH                                                                                        |
| Safety Specification: | IEC/EN61347-1, IEC/EN61347-2-13, EN55015, EN61000-3-2 Class C, EN61000-3-3, EN55024, EN61547, EN61000-4-2,3,4,5,6,8,11. |

#### Dimensions





## Push Dimming



Reset Switch

- On/off control: Short press.
- Stepless dimming: Long press.
- For fine tuning of light level: with every other long press, the light level goes to the opposite direction.
- Dimming memory: Brightness will be the same as previously adjusted when turning off and on again.

### Attention:

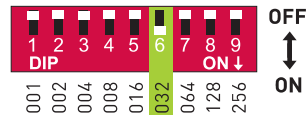
- Before use, please make sure the LED driver output voltage matches with the LED lights. Incorrect voltage will damage the LED lights.
- Good heat dissipation can prolong the life of the LED driver. Please try to install the LED driver on the metal surface and use in well-ventilated environment.
- The wire size shall be big enough to load the power with solid connection to LED driver.
- If a malfunction occurs, do not repair by yourself. For any question, please contact the supplier directly.

**RDM Mode:** The dip switch 1-9 are OFF.



**DMX Address Setting:**

E.g.1: Set Initial Address To 32.



E.g.2: Set Initial Address To 37.



$$001+004+032=37$$

DMX address value=the total value of [1-9],  
To get the place value when in "on" position,